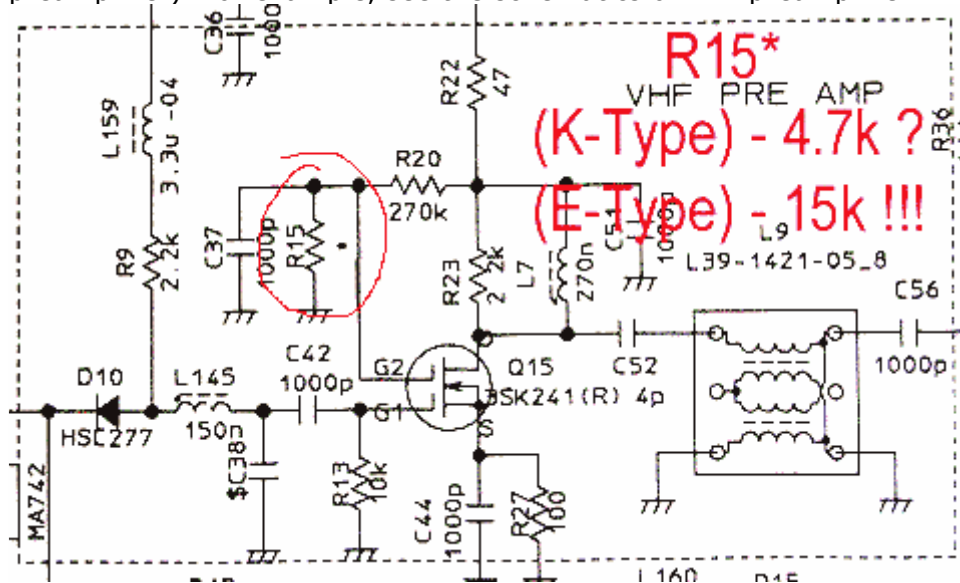


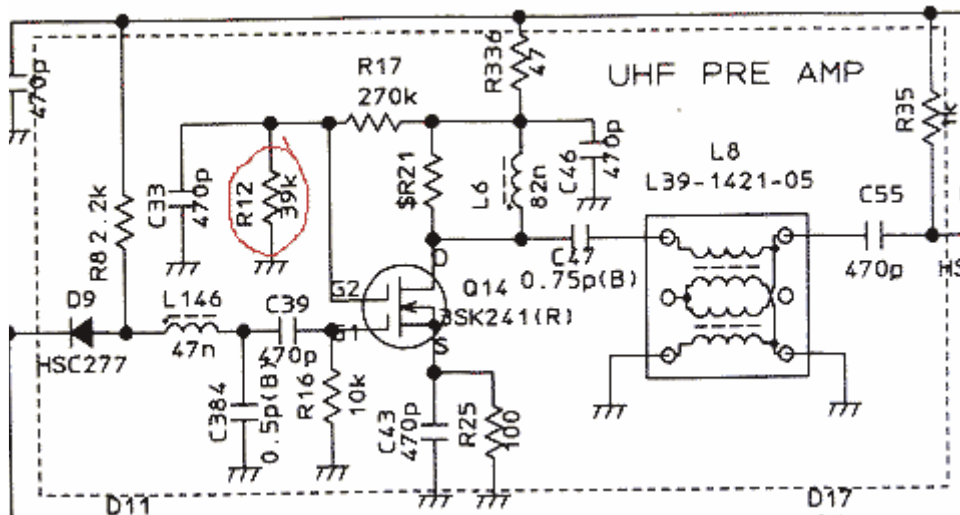
## TS-2000 RX sensitivity improvement on 2 meters band

Author: UU1DX Oleg

(This mod first was done by UT7GA after he bought his TS-2000 from USA). The problem is in low sensitivity of TS-2000 K-type on 2 meters band. BTW, this was done by Kenwood not really correct, just by reducing gain of 1st RF amplifier transistor by putting higher voltage onto pin G2 of Q15 (compared to 70 cm preamplifier). For example, see the schematics of VHF preamplifier:



And 70 cm preamplifier schematics:



So - there is no comments. By the way, in european version of TS2000 R12 and R15 are similar!

And now - step by step how to **replace the resistor R15 to the same type SMD reistor with 22-36 kOhms value.**

Disassembling - remove 10 screws of bottom cover and openit:



After removing another 10 screws of TX-RX UNIT (marked on pic above) carefully rotate it up:



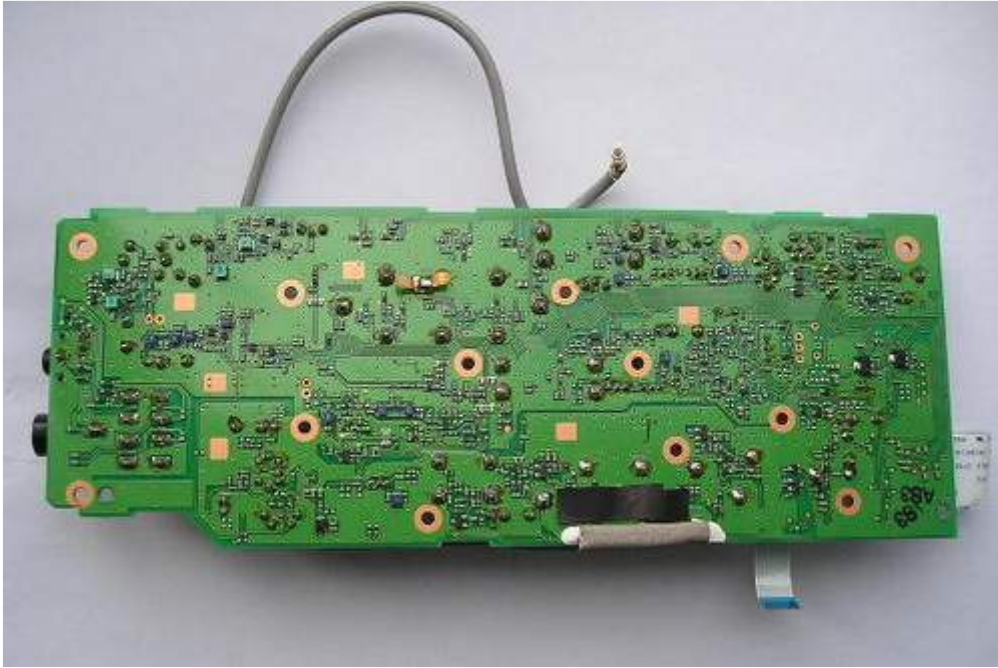
Next, remove 13 screws of "**VU RF**" module:



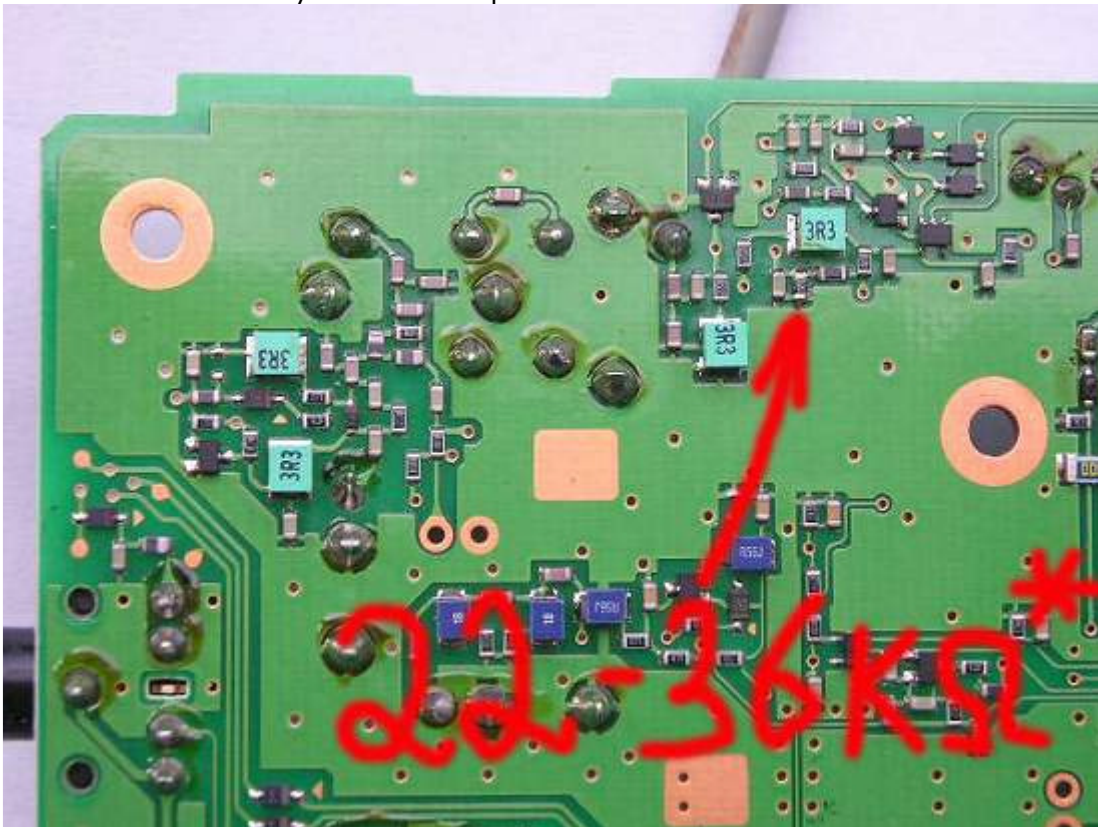
And, after careful disconnect all connectors needed, get out the board which you have to modify:



Turn the board back side to you and find the RF preamp components in a left top corner:



This is a resistor R15 you need to replace!:



Done! Carefully put all back and have fun!

\* Notes:

1. You don't need to do this mod if you are using external mast preamplifier...
2. In the radios from 2006 year all done on factory, so we are right with this!

Wasil, UU2JJ, Oleg, UU1DX

---

This article is printed with permission from mods.dk the 04-06-2007. This printed article must only be used for non-commercial purposes; this is only for private use.

© Copyright mods.dk 1996 - 2007